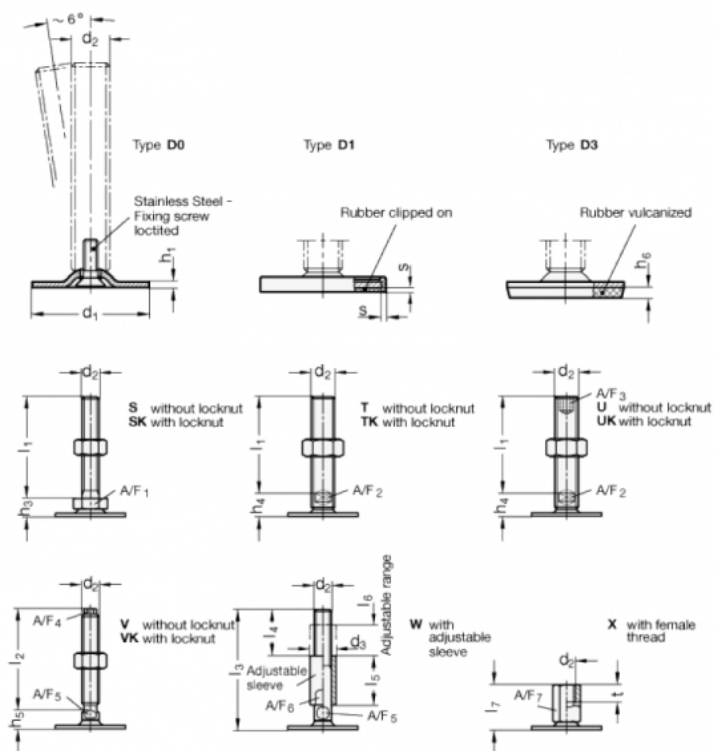


Article number: 204150M16150D0TK
 Description: E+G levelling foot
 GN 41-50-M16-150-D0-TK
 Note: TK With nut, Wrench flat at the bottom

Measures



A/F2 = 12
 d_1 = 50
 d_2 = M16
 h_1 = 2.5
 h_4 = 17
 h_6 =
 h_1 = 150
 s =